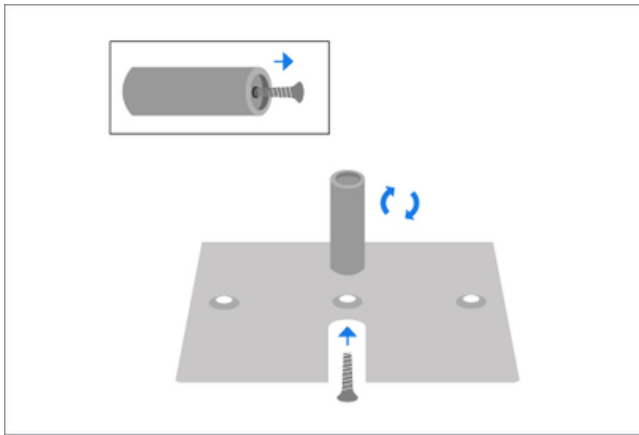
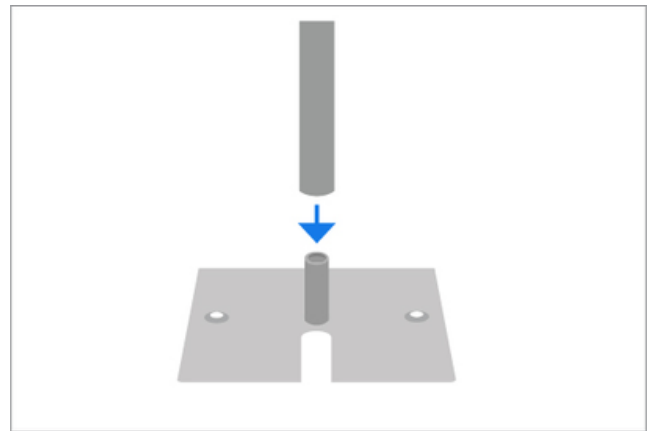


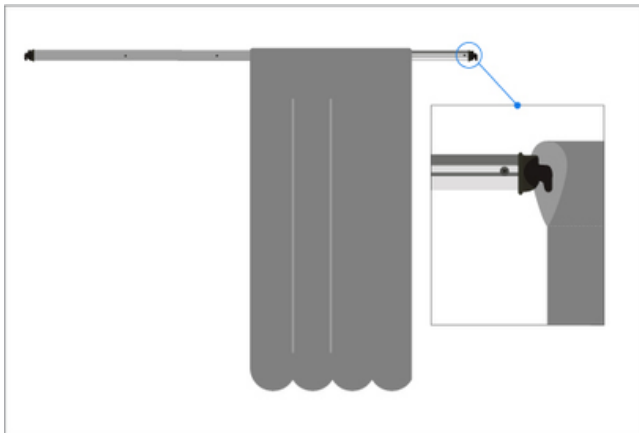
# HOW TO SET UP PIPE & DRAPE



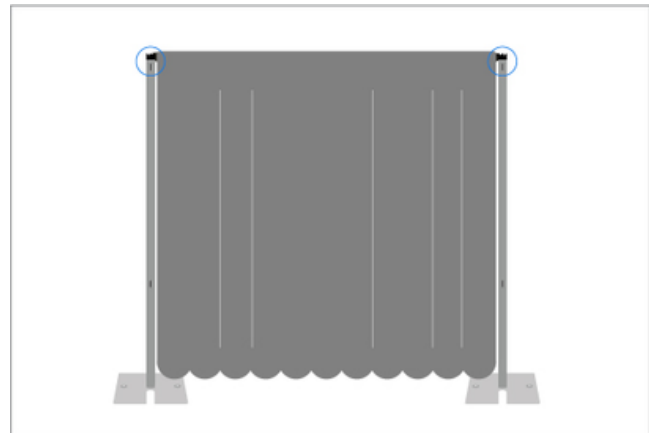
① Remove the screw from the bottom of the pin. Place the screw through the desired pin hole on the base and tighten the pin until secure.



② Place the Upright over the pin.  
If using pole covers for the uprights, put these on now.



③ String drape onto the Drape Support (CROSSBAR) before hanging  
\*I like to do 4-5 panels per 10ft section



④ Attach each Hook End of the Drape Support to the top of the Upright

\*PLAN IN 10FT SECTIONS\*

